

ATID-XC-AF900R1



About ATID-XC-AF900R1 Antenna

ATID-XC-AF900R1 linear polarized antenna offers high gain and covers the frequency band of 902MHz~928MHz. It adopts CNand FCC standards. The antenna is uniquely designed with a high protection level, excellent RF performance and easy installation. The ATID-XC-AF900R1 antenna is ideal for intelligent transportation systems, road/bridge/port vehicle management, digital warehouse management and logistics applications.

Application

- Vehicle management
- Warehouse management
- Logistics

Features

- Applied on UHF RFID and adopts CN&FCC
- High gain and linear polarization
- IP rating: IP65
- Durable and graceful design



Product Specifications

Performance Parameters

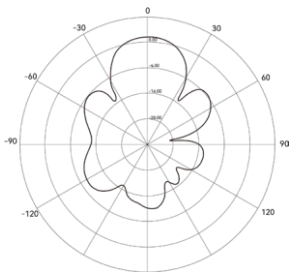
| | |
|----------------------------|------------------------|
| Operating Frequency | 902MHz~928MHz (CN&FCC) |
| VSWR | ≤1.3:1 |
| Gain | 11dBi |
| H-Plane HPBW | 84° |
| E-Plane HPBW | 27° |
| Polarization | Linear |
| Impedance | 50Ω |
| Connector | Type N |

Environment

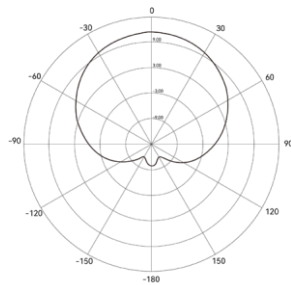
| | |
|------------------------------|----------------|
| Operating Temperature | -40°C to +85°C |
| Storage Temperature | -40°C to +85°C |
| Humidity Range | ≤95%RH |

Physical Parameters

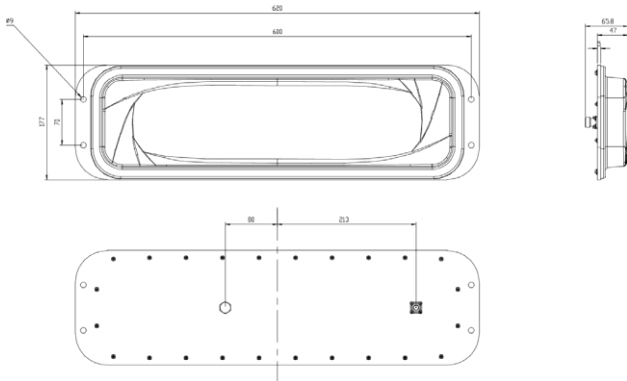
| | |
|--------------------------------------|-------------------|
| Length | 620 mm (24.41in) |
| Width | 177 mm (6.97in) |
| Thickness excluding connector | 47 mm (1.85in) |
| Thickness including connector | 65.8 mm (2.41 in) |
| Weight | 2.4kg |
| Radome material | Modified ASA |
| IP rating | IP65 |
| Installation | Bracket or Bolt |



E-Plane HPBW



H-Plane HPBW



ATID-XC-AF900R1+BEN Antenna Technology Specification

All Features and specifications described are subject to change without notice.