

## [ Products ] you can identify with

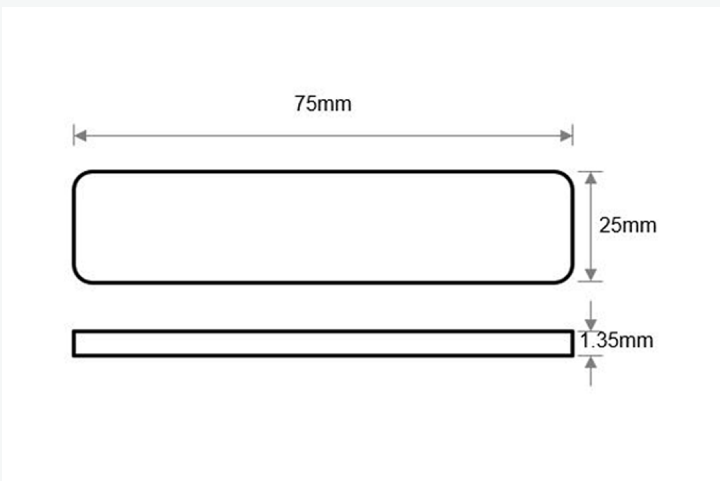


### Physical Specifications

<b>Material</b>	White synthetic label
<b>Size</b>	75 x 25 x 1.35 (+/- 2) mm, 2.95 x 0.98 x 0.05 with ground plane (+/-0.07) in
<b>Weight (g)</b>	1.4
<b>Attachment</b>	Self-adhesive and suitable for curved surfaces to a minimum radius of 58mm

Product dimensions shown above are the maximum. Batch to batch variation could be within 5%. Unspliced sections will be within 0.2mm tolerance

### Dimensions



Measurements shown in mm

## IQ 600 GS

Omni-ID IQ 600 GS ultrathin labels provide on metal tag functionality, within a low profile label. Supplied in roll form, the tag has been optimized for thermal barcode printers, enabling low cost and hassle-free RFID deployment. The consistency and reliability of the tag redefines the standard for on and off metal RFID tagging, enabling new applications and revolutionizing integration into manufacturing and supply chain processes.



### RF Specifications

<b>Radio Protocol</b>	EPC Class 1 Gen2v2
<b>Frequency Range</b>	860 - 930 (GS)
<b>Read Range - Fixed Reader</b>	Up to 7.3m (24.0 feet)
<b>Read Range - Handheld Reader</b>	Up to 4m (13.12 feet)
<b>On Metal or Balanced</b>	Optimized for metal
<b>Material Compatibility</b>	Metal, Plastic, Ceramic
<b>IC Type (Chip)</b>	Impinj-M730
<b>Memory</b>	EPC - 128 bits User - 0 bits Unique TID - 48 bits

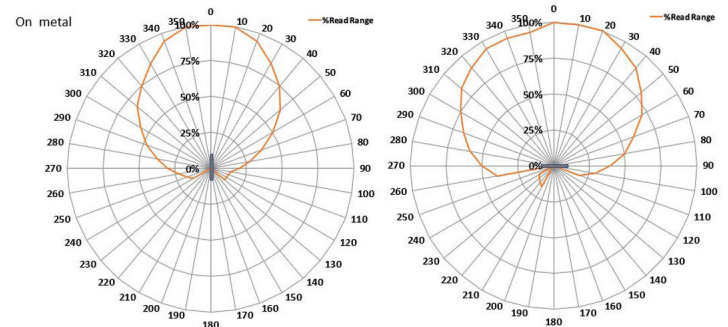
Quoted performance achieved using standard testing methodology on Aluminium test plates.

Read range is dependent on multiple factors such as; RFID reader transmit power and receiver sensitivity, asset material and environment.

Please see the Omni-ID On Metal Labels User Guide for more detail.

EPC is reprogrammable. UTID is locked at point of manufacture by IC manufacturer.

### Radiation Patterns



## [ Products ] you can identify with



With innovative construction and thermal barcode printer compatibility, the Omni-ID IQ 600 GS label is ideal for applications such as:

- Logistics involving metal produce or packaging
- Pipe manufacturing and re-certification
- IT, office & hospital assets tracking applications

### Certifications

CE, RoHS



### Environmental Specifications

<b>Operating Temperature</b>	-40°C to +85°C
<b>Max Temperature Exposure</b>	-40°C to +85°C
<b>Application Temperature</b>	+18°C to +35°C
<b>IP Rating</b>	IP68
<b>Shock &amp; Vibration Tolerance</b>	MIL-STD-810 G
<b>Printer Compatibility</b>	SATO

### Ordering Information

<b>Warranty</b>	1 year
<b>Part Number / Order Codes / Order Numbers</b>	CP16595
<b>Supply Format</b>	500 labels per roll

For product or technology inquiries email: [sales@omni-id.com](mailto:sales@omni-id.com).  
Visit [omni-id.com](http://omni-id.com) to learn more about the complete line of **Omni-ID RFID** products